



Halo Sense Smart

Lab air quality sensor



Be informed about the air you breathe in the lab

Keeps you safe

Halo Sense has been designed to continuously monitor the lab air quality for a large spectrum of chemical vapors.

Choose the best version

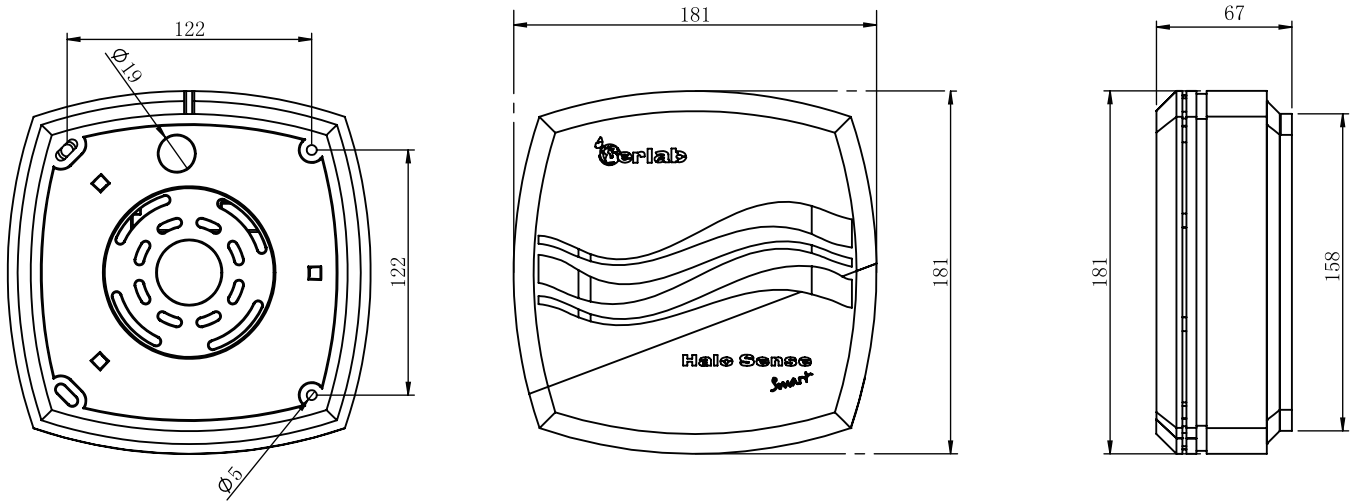
Halo Sense comes in 3 versions: Volatile Organic Compounds (VOCs), Acid and Formaldehyde.

Smart technology

When the Halo Sense detects chemical vapours, a soft band of LED light blinks and beeps are emitted to let you know that the air is polluted with solvents or acids or formaldehyde. Halo Sense boxes shall be connected to a computer using the eGuard to be turned on/off and monitored (adjustable detection sensitivity, adjustable sound level, turning off or on of the blinking light, events history, ...). In the event of a pollution alarm, one should look then for the source of chemical pollution and ensure its elimination with appropriate containment vented enclosures, such as fume hoods or storage cabinets.

Halo Sense shall be usually fixed to the wall or placed on a table, connected to power and through the local intranet network to a computer. It will help you to guarantee to your lab personnel that they are always working in a safe environment.

Dimensions(mm)



**Halo Sense
3 versions**

VOCs For Labs with volatile organic compounds	Formaldehyde For Labs with formaldehyde vapors	Acid For Labs with acid vapors
--	---	---

Sensor Housing	Lightweight, durable plastic		
Detection	Semiconductor sensor	Electro-chemical sensor	Electro-chemical sensor
Weight	1kg		
Installation	Table top or wall mounted		
eGuard	Remote control to monitor the device, change the settings, and deliver safety alerts immediately.		
Energy consumption	10 W		
User Interface	Simple communication by LED pulsation system		
Voltage / frequency	100-240V; 50-60Hz		



Remote control to monitor the Halo Sense Smart, change the settings, and deliver safety alerts immediately.



Europe

erlab D.F.S S.A.S (France)
Parc d'Affaires des Portes BP 403
27104 Val de Reuil Cedex - France
Tel. : +33(0)2 32 09 55 80
Fax. : +33(0)2 32 09 55 90
E-Mail :Ventes@erlab.net

North America

erlab, Inc. (USA)
388 Newburyport Turnpike
Rowley, MA 01969 - USA
Tel.: +1(978) 948-2216
Fax.: +1(978) 948-3354
E-Mail: CaptairSales@erlab.com

Asia, Middle East,
Africa, South America

Kunshan erlab D.F.S Co.,Ltd
No.118 Feng Qin Rd.
KETD Kunshan Jiangsu Province - China
Tel. : +86 (0)512 5781 4085
Fax. : +86 (0)512 5781 4082
E-Mail : erlab-sales@erlab.net